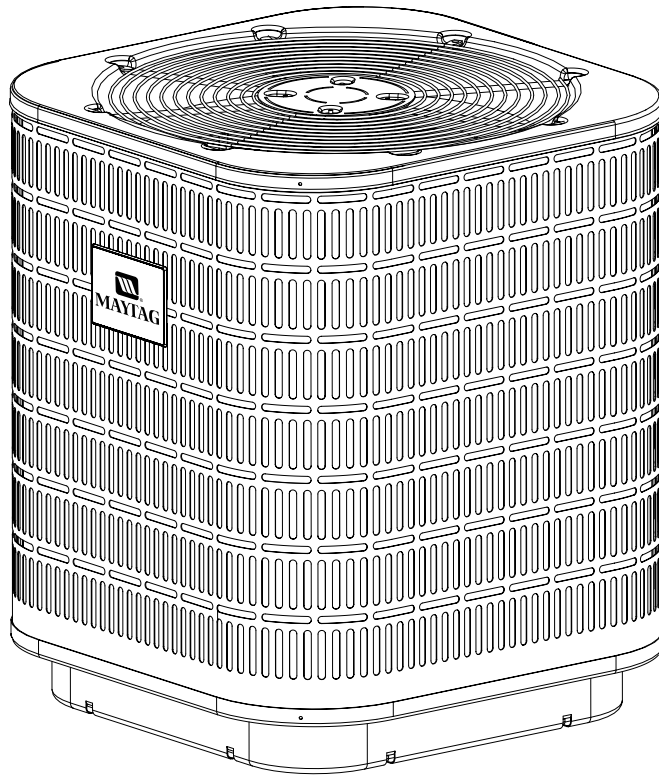


MAYTAG

TECHNICAL SPECIFICATIONS

Model DT4BE Series



M120 Product Line

**High Efficiency R-410A Heat Pump
14 SEER — 1.5 - 5 Ton Capacity**

- **12 YEAR ALL PARTS WARRANTY**
- **This product offers a 1 Year Dependability Promise to replace the unit if the compressor fails in the first year of operation, to the original owner. All split system products must be installed with a matched indoor air handler or indoor coil to qualify.**
- **Product registration required for 12-year All Parts Warranty and Dependability Promise within a limited period of time after the installation. See current warranty document for details. This can be viewed at www.maytagvac.com or ask your sales representative.**



Maytag now offers the choice of a heat pump that uses a more efficient and environmentally friendly refrigerant designated R-410A. The DT4BE Series of heat pumps offers exceptional performance. The unit, when combined with our engineered coils or air handlers, offers a full line of quality, split system cooling equipment.

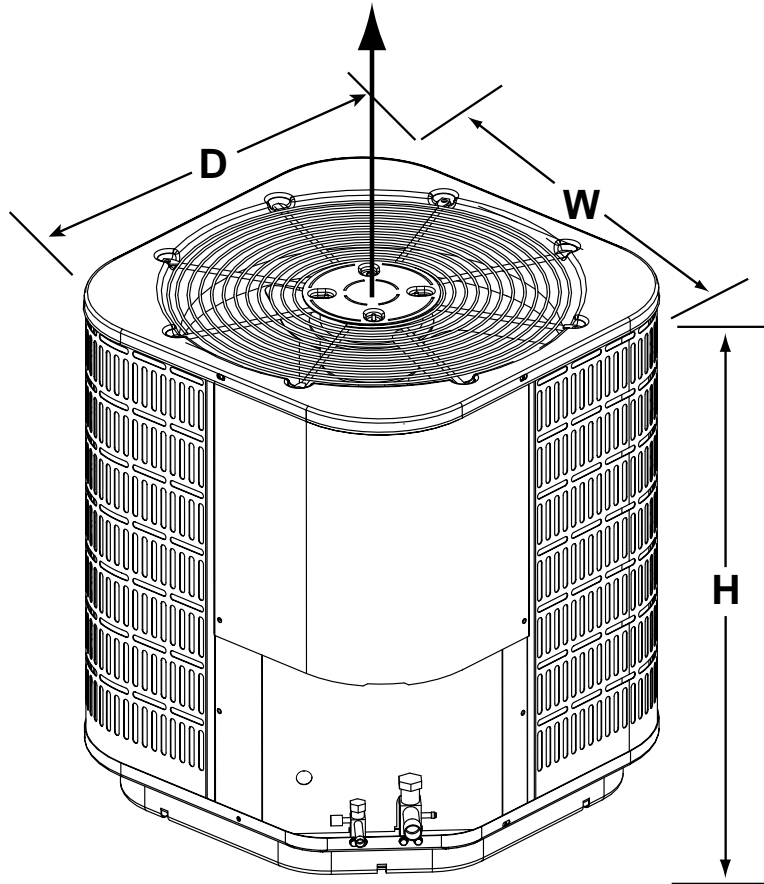
Features and Benefits

- **SmartCool™ 410™ Refrigerant (R-410A)** – Earth friendly non-ozone depleting refrigerant.
- **Designed using galvanized steel** – with a polyester urethane coat finish. The 950 hour salt spray finish resists corrosion 50% better than comparable units.
- **Copper Tube / Aluminum Fin Coils** – Both indoor and outdoor coils are designed to optimize heat transfer, minimize size and cost, and increase durability and reliability.
- **Permanently Lubricated Motor** – A heavy duty PSC motor for long lasting reliability and quiet operation. Requires no maintenance and is completely protected from rain and snow.
- **Full Port Suction Valve** – Full port brass ball valve provides low pressure drop and ease of service. The valve is actuated by 1/4 turn full open to full close.
- **Steel Guard™** – Durable metal guard protects the coil from yard hazards and extreme weather.
- **Removable Top Grille Assembly** – Allows ease of service from the top without disconnecting fan motor leads.
- **High Pressure Switch** – Protects against abnormally high system pressures. Auto-reset feature prevents nuisance service visits.
- **Liquid Line Filter Drier** – Included with unit, field installed.
- **One Piece Top/Orifice** – Designed for maximum airflow and quiet operation.
- **2-1/2" Pedestal Base** – The sturdy base keeps the bottom of the coil out of harms way. Secondly, the base has weep holes along the edge to allow the water from rain to flow away from the unit.
- **Easy Compressor and Control Access** – Designed to make servicing easier for the contractor, access panels are provided to all controls and the compressor from the side of the unit.

DIMENSIONS/OUTDOOR SECTION

DT4BE	018K	024K	030K	036K	042K	048K	060K
H	42 1/2	42 1/2	42 1/2	42 1/2	42 1/2	42 1/2	42 1/2
W	30 1/2	30 1/2	30 1/2	30 1/2	30 1/2	30 1/2	30 1/2
D	30 1/2	30 1/2	30 1/2	30 1/2	30 1/2	30 1/2	30 1/2

Air Discharge
Allow Adequate Clearance for Airflow



IDENTIFICATION CODE

EX: DT4BE-036K

D T 4 B E - 036 K

D = Steel Guard™

T = Heat Pump

Design Series

Product Identifier

BE = Braze 14 SEER

Nominal Capacity
(000) BTU

Electrical Code
K = 208/230-60-1

PHYSICAL AND ELECTRICAL SPECIFICATIONS / OUTDOOR UNITS

14 SEER — High Efficiency — Single Phase

Model Number DT4BE		018K	024K	030K	036K	042K	048K	060K	
Electrical Data	Volts-Cycles-Phase (1)	208/230-60-1	208/230-60-1	208/230-60-1	208/230-60-1	208/230-60-1	208/230-60-1	208/230-60-1	
	Total Amps	11.86	16.34	15.7	16.98	20.82	21.24	27.64	
	Delay Fuse Max. (2)	20	30	30	30	40	45	60	
	Min. Circuit Ampacity	14.1	19.7	18.9	20.5	25.3	26.2	34.2	
Condenser Data	Coil	Area ft ²	25.4	25.4	25.4	25.4	25.4	25.4	25.4
		Rows-FPI	1-20	1-20	1-20	1-20	1-20	2-16	2-16
		Tube Dia	3/8" O.D.	3/8" O.D.	3/8" O.D.	3/8" O.D.	3/8" O.D.	3/8" O.D.	3/8" O.D.
	Fan Motor	Type	BLDC	BLDC	BLDC	BLDC	BLDC	PSC	PSC
		Amps	2.9	2.9	2.9	2.9	2.9	1.4	1.4
		Watts-HP	1/3	1/3	1/3	1/3	1/3	1/4	1/4
	Fan Blade	Dia-# Blades	24"-2	24"-2	24"-2	24"-2	24"-2	24"-2	24"-2
		SCFM	2800	2800	2800	3400	4000	4000	4000
	Compressor Data	RLA	8.96	13.44	12.8	14.08	17.92	19.84	26.24
		LRA	48	58.3	64	77	112	109	134
Refrigerant suction line O.D.(all length of liquid line are 3/8" O.D.)	0-24 ft.	3/4"	3/4"	3/4"	7/8"	7/8"	7/8"	7/8"	
	25-39 ft.	3/4"	3/4"	3/4"	7/8"	7/8"	1 1/8" (3)	1 1/8" (3)	
	40-75 ft.	3/4"	3/4"	3/4"	7/8"	7/8"	1 1/8" (3)	1 1/8" (3)	
Refrigerant charge (R-410A) in ounces for outdoor unit, indoor unit and 15' line set.		166	166	168	174	256	246	230	
Weight Approximate (lbs.)	Net	179	180	180	182	279	280	290	
	Ship	188	189	189	191	294	295	305	

(1) Operating Voltage Range: 187V min. - 253V max.

(2) HACR Type Circuit Breaker may be used.

(3) Requires 7/8" to 1-1/8" reducer from line to unit.

COPPER WIRE SIZE — AWG (1% Voltage Drop)				
Supply Wire Length-Feet				Supply Circuit Ampacity
200	150	100	50	
6	8	10	14	15
4	6	8	12	20
4	6	8	10	25
4	4	6	10	30
3	4	6	8	35
3	4	6	8	40
2	3	4	6	45
2	3	4	6	50

Wire Size based on N.E.C. for 60° type copper conductors.

SYSTEM COOLING CAPACITIES

14 SEER — High Efficiency — Single Phase

Outdoor Unit Model Number DT4BE	Indoor Unit Model Number C6B(A,H)	Cooling Capacity Btu/h	SEER	EER	Heating Capacity Btu @ 47°F	HSPF	Nominal SCFM
018K	X24(C,U)-(A,B)+MB6BM	18,000	14	12.9	19,000	8.0	610
024K	X24(C,U)-(A,B)+MB6BM	23,400	14	13.0	24,000	8.2	700
030K	X30(C,U)-(A,B)+MB6BM	29,200	14	13.6	29,200	8.5	885
036K	X36(C,U)-(B,C)+MB6BM	34,600	14	13.0	34,400	8.5	1125
042K	X42(C,U)-(B,C)+MB6BM	42,000	14	13.3	40,500	8.5	1325
048K	X48(C,U)-(C,D)+MB6(E,V)M	47,000	14	12.7	42,500	8.5	1625
060K	X60(C,U)-(C,D)+MB6(E,V)M	57,000	14	12.5	53,500	8.5	1650

14 SEER — High Efficiency — Single Phase

Outdoor Unit Model Number DT4BE-	Indoor Unit Model Number C5B(A,H)-	Cooling Capacity Btu/h	SEER	EER	Heating Capacity Btu/h @ 47°F	HSPF	Nominal SCFM
018K	X25(C,U)-(A,B)+TDR	18700	14.0	12.5	19000	8.5	700
024K	X25(C,U)-(A,B)+TDR	23200	14.0	12.7	25000	8.5	700
030K	X30(C,U)-(A,B)+TDR	28000	14.0	12.7	29800	8.5	930
036K	X37(C,U)-B+TDR	34400	14.0	12.7	34000	8.5	1180
042K	X42(C,U)-B+TDR	39000	14.0	12.5	39000	8.5	1340
048K	X49(C,U)-C+TDR+VSB-C	45500	14.0	12.6	44000	8.5	1660
060K	X60(C,U)-C+TDR+VSB-C	59000	14.0	12.5	52500	8.5	1660

Outdoor Unit Model Number DT4BE-	Indoor Unit Model Number B5B(M,V)-	Cooling Capacity Btu/h	SEER	EER	Heating Capacity Btu/h @ 47°F	HSPF	Nominal SCFM
018K	X25K-(A,B)	18700	14.0	12.5	19000	8.5	700
024K	X25K-(A,B)	23200	14.0	12.7	25000	8.5	700
030K	X30K-(A,B)	28000	14.0	12.7	29800	8.5	930
036K	X37K-B	34400	14.0	12.7	34000	8.5	1180
042K	X42K-B	39000	14.0	12.5	39000	8.5	1340
048K	X60K-C	45500	14.0	12.6	44000	8.5	1660
060K	X60K-C	59000	14.0	12.5	52500	8.5	1660

See current ARI Directory for certified combinations and ratings.

SYSTEM COOLING CAPACITIES (Continued)

15 SEER — High Efficiency — Single Phase

Outdoor Unit Model Number DT4BE-	Indoor Unit Model Number C5B(A,H)-	Cooling Capacity Btu/h	SEER	EER	Heating Capacity Btu/h @ 47°F	HSPF	Nominal SCFM
018K	X25(C,U)-(A,B)+VSB-(A,B)	19000	15.0	13.5	18800	8.5	675
024K	X25(C,U)-(A,B)+VSB-(A,B)	23400	15.0	13.5	24600	8.6	675
030K	X30(C,U)-B+VSB-B	28400	15.0	13.5	29400	8.7	960
036K	X37(C,U)-B+VSB-B	34800	15.0	13.5	33600	8.8	1125
042K	X42(C,U)-B+VSB-B	39500	14.5	13.0	38600	8.8	1315
042K	X49(C,U)-C+VSB-C	40000	15.5	14.0	38000	9.0	1300

Outdoor Unit Model Number DT4BE-	Indoor Unit Model Number B5VM-	Cooling Capacity Btu/h	SEER	EER	Heating Capacity Btu/h @ 47°F	HSPF	Nominal SCFM
018K	X25K-(A,B)	19000	15.0	13.5	18800	8.5	675
024K	X25K-(A,B)	23400	15.0	13.5	24600	8.6	675
030K	X30K-B	28400	15.0	13.5	29400	8.7	960
036K	X37K-B	34800	15.0	13.5	33600	8.8	1125
042K	X42K-B	39500	14.5	13.0	38600	8.8	1315
042K	X49K-C	40000	15.5	14.0	38000	9.0	1300

See current ARI Directory for certified combinations and ratings.

ACCESSORIES - CONDENSING UNIT

Start Assist Kit - 912933

Provides additional starting torque for the compressor motor when operating with low line voltage or high operating temperatures.



MAYTAG

Before purchasing this appliance, read important energy cost and efficiency information available from your retailer. Specifications and illustrations subject to change without notice and without incurring obligations.

Manufactured under license by NORDYNE, O'Fallon, MO. ©Registered Trademark/™ Trademark of Maytag Corporation or its related companies. ©2008. All rights reserved.
489C-1008 (Replaces 489C-0307)

Printed in U.S.A. (10/08)